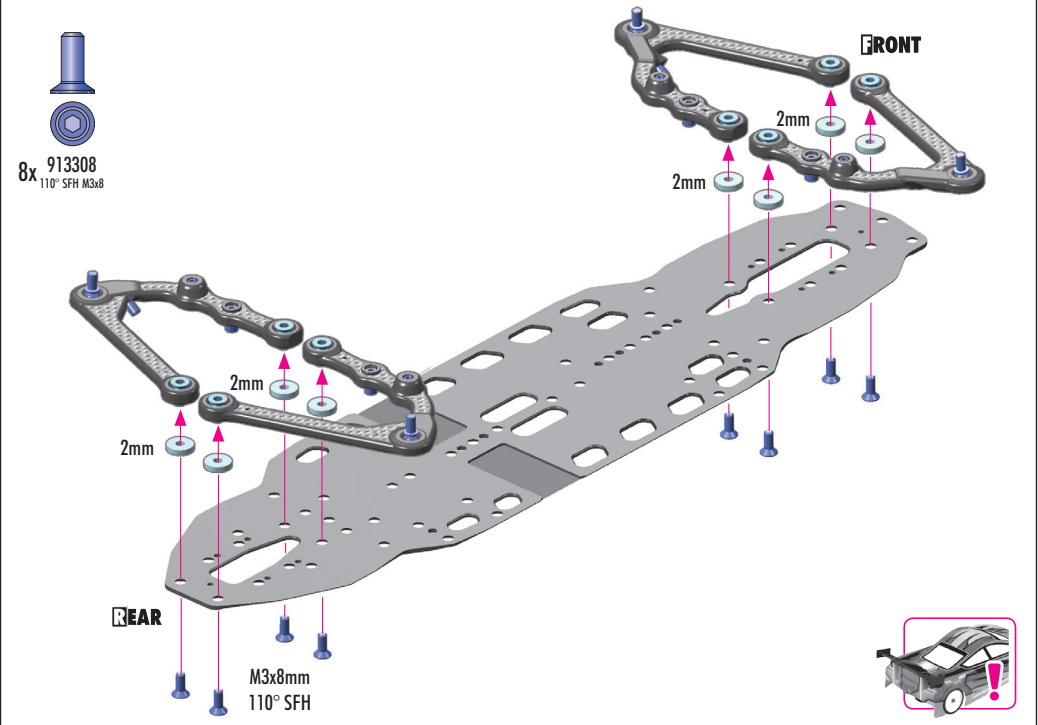
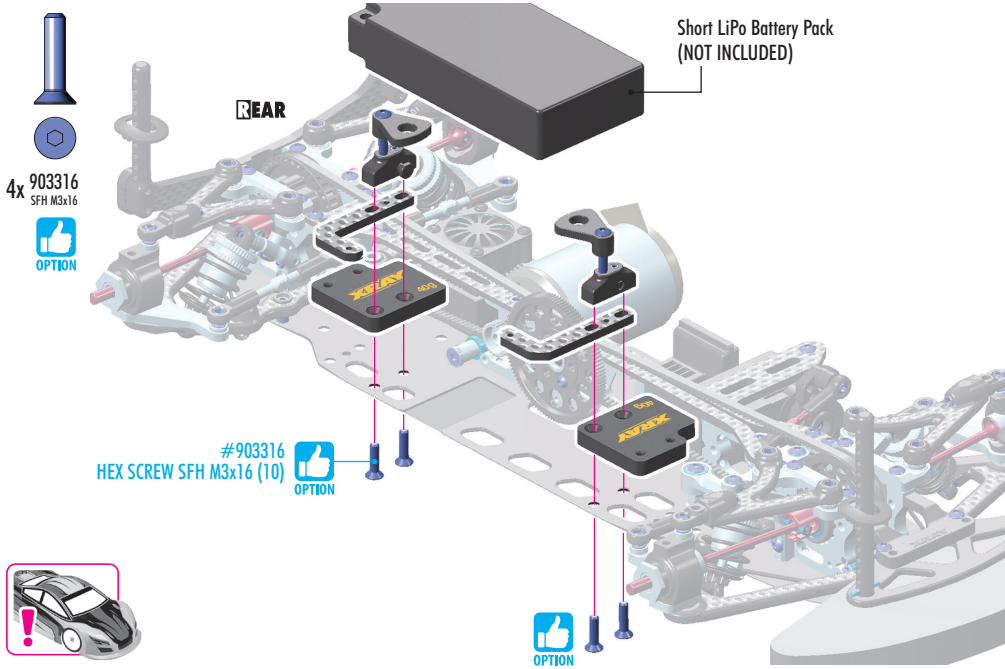
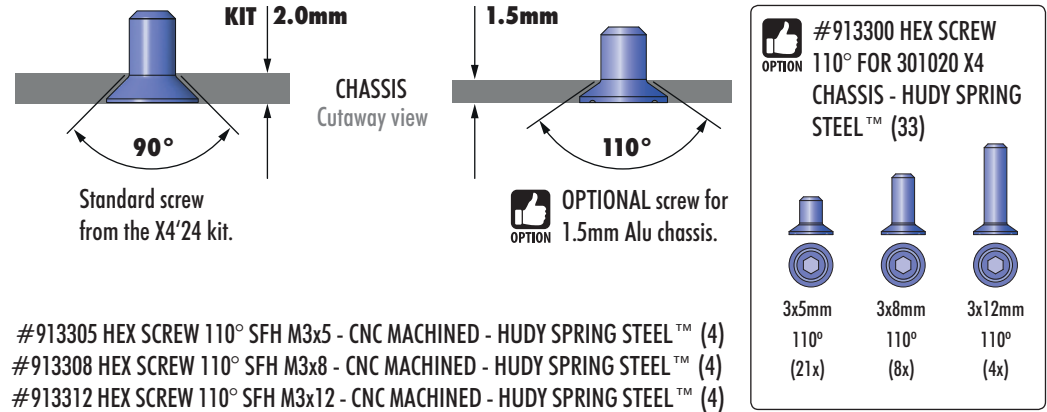


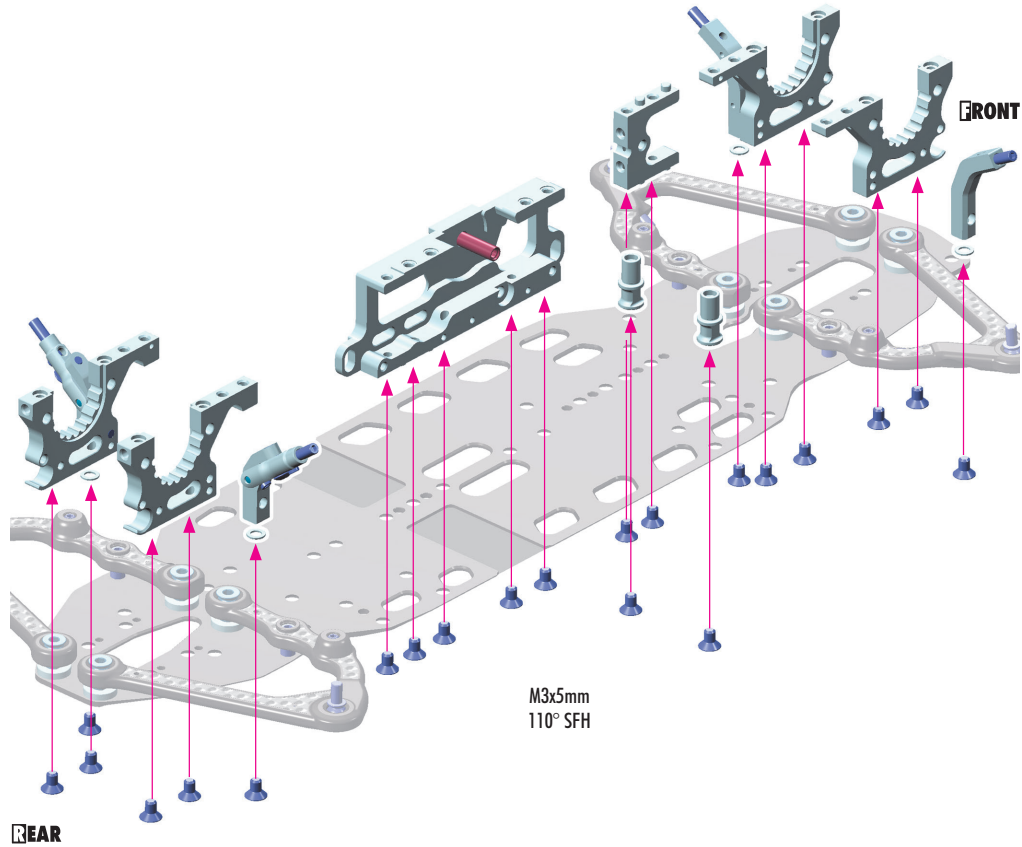
XRAY X4

#301020 X4'24 ALU FLEX CHASSIS 1.5MM - SWISS 7075 T6

When changing the standard X4 chassis for this thinner 1.5mm aluminum chassis optional 110° screws must be used. The 110° screws are specially designed and custom CNC machined from HUDY Spring Steel™ to ensure maximum strength. The 110° screws are available either as a complete set of 33pcs screws or individually based on the length.



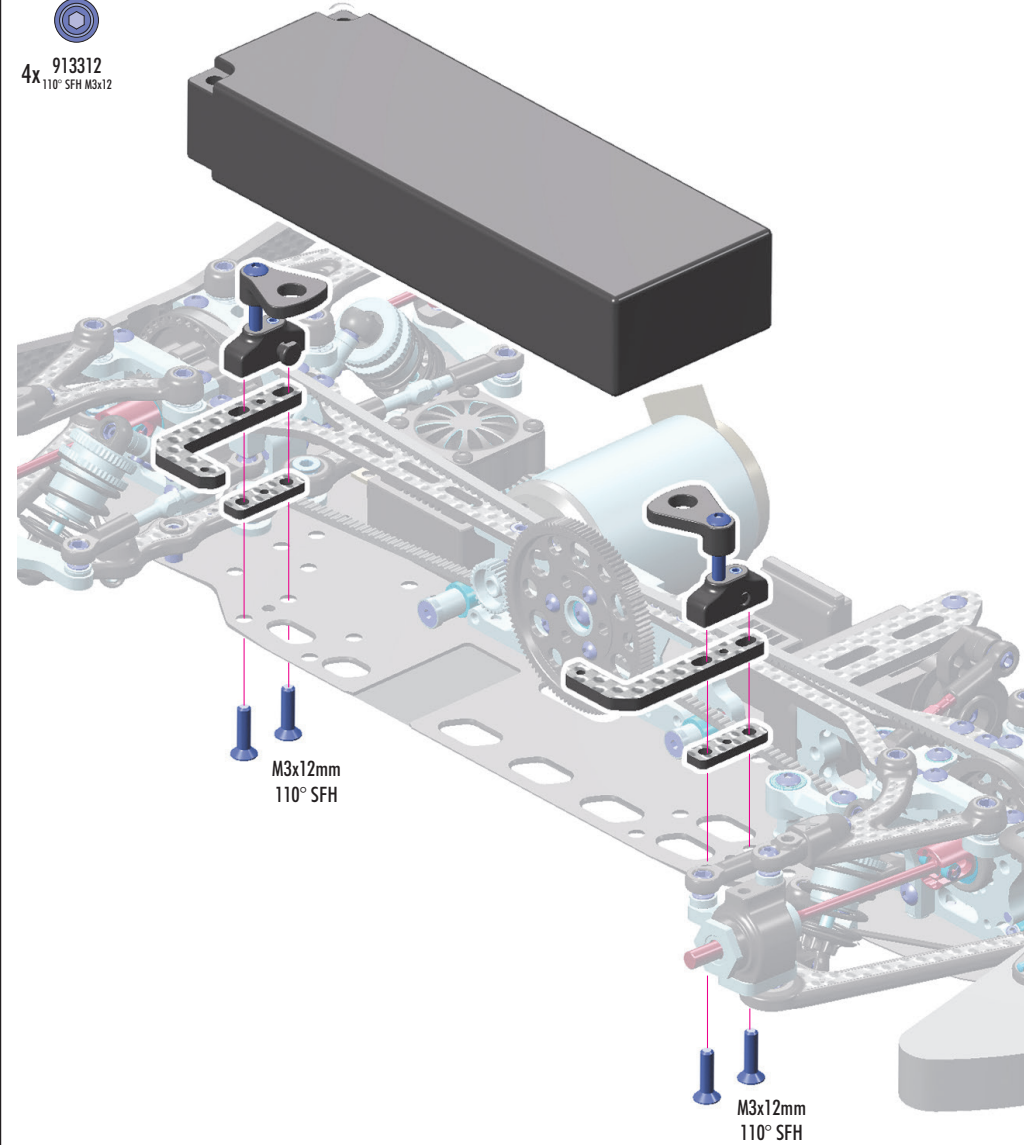
21x 913305
110° SFH M3x5



M3x5mm
110° SFH



4x 913312
110° SFH M3x12



M3x12mm
110° SFH

M3x12mm
110° SFH

